



MAXIMATIC® STACKING FRLs



MMFRLS-2Q-D
Stacking FRL with
Polycarbonate Bowls
and Auto Drain



MMFRLS-3Q-D
Stacking FRL with Bowl
Shields and Auto Drain



Stacking FRLs provide air filtration, regulation and lubrication in one unit for easy mounting and installation.

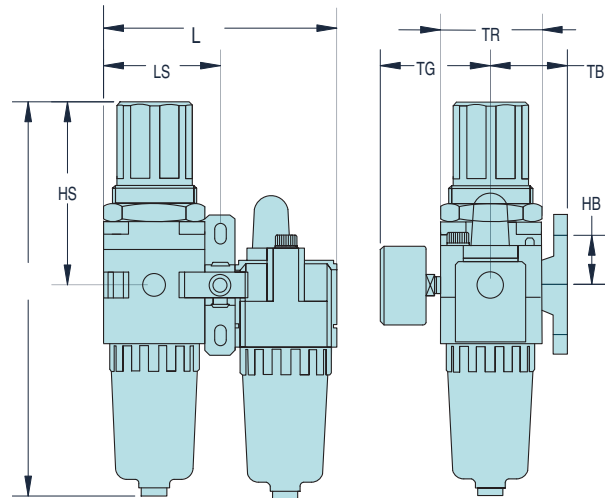
- Includes L bracket and gauge

Bowl: Polycarbonate standard. Steel shield provided on models indicated. Metal bowls with sight gauges also available, add “-M” to the end of the Part Number.

Regulating Range: 7 to 100 psig on MMFRLS-1N, 7 to 125 psig on all others. 30 and 60 psig ranges also available, add “-P30” or “-P60” to the end of the Part Number.

Drain: Semi-Automatic standard on MMFRLS-3/4/5 series. Manual standard on all others. Optional Automatic Drain available—add “-D” to Part Number.

Filtration: 25 micron filter standard. Add “-F5” to the end of the Part Number for an optional 5 micron filter.



Drawing shown
without Shield
or Auto Drain

Dim.	MMFRLS-4Z					
	MMFRLS-1	MMFRLS-2	MMFRLS-3	MMFRLS-4W	MMFRLS-4A	MMFRLS-5B
H	4.31 (109.5)	6.48 (164.6)	8.31 (211.1)	10.31 (261.9)	10.51 (267.0)	13.31 (338.1)
HB	0.79 (20.1)	0.94 (23.9)	1.38 (35.1)	1.57 (39.9)	1.57 (39.9)	1.97 (50.0)
HS	1.99 (50.5)	3.07 (78.0)	3.64 (92.5)	4.41 (112.0)	4.49 (114.0)	4.57 (116.1)
L	2.28 (57.9)	3.54 (89.9)	4.61 (117.1)	6.06 (153.9)	6.46 (164.1)	7.68 (195.1)
LS	1.14 (29.0)	1.77 (45.0)	2.30 (58.4)	3.03 (77.0)	3.23 (82.0)	3.84 (97.5)
TB	0.98 (24.9)	1.18 (30.0)	1.61 (40.9)	1.97 (50.0)	1.97 (50.0)	2.75 (69.9)
TG	1.02 (25.9)	2.24 (56.9)	2.39 (60.7)	2.58 (65.5)	2.74 (69.6)	2.97 (75.4)
TR	0.98 (24.9)	1.57 (39.9)	2.09 (53.1)	2.76 (70.1)	2.76 (70.1)	3.54 (89.9)

Part No.	Port	Gauge Port	Flow Rate		Bowl Shield	Gauge
MMFRLS-1N	#10-32	1/8" NPT	3 scfm	90 l/min	no	PG-10-160J
MMFRLS-2P	1/8" NPT	1/8" NPT	18 scfm	500 l/min	no	PG-15-160P
MMFRLS-2Q	1/4" NPT	1/8" NPT	18 scfm	500 l/min	no	PG-15-160P
MMFRLS-3Q	1/4" NPT	1/8" NPT	60 scfm	1,700 l/min	yes	PG-15-160P
MMFRLS-3W	3/8" NPT	1/8" NPT	60 scfm	1,700 l/min	yes	PG-15-160P
MMFRLS-4W	3/8" NPT	1/4" NPT	105 scfm	3,000 l/min	yes	PG-20-160Q
MMFRLS-4Z	1/2" NPT	1/4" NPT	105 scfm	3,000 l/min	yes	PG-20-160Q
MMFRLS-4A-M*	3/4" NPT	1/4" NPT	140 scfm	4,000 l/min	yes	PG-20-160Q
MMFRLS-5B-M*	1" NPT	1/4" NPT	180 scfm	5,000 l/min	yes	PG-20-160Q

* Metal bowl standard